

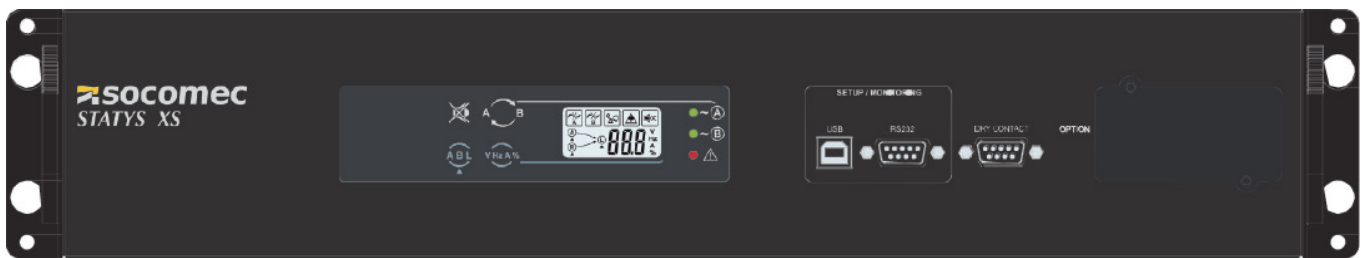
OPERATING  
AND  
INSTALLATION  
MANUAL

# STATYS XS

16A / 32A

EN

<http://www.socomec.com/>



<b>1. WARRANTY CERTIFICATE</b> .....	<b>3</b>
<b>2. SAFETY INSTRUCTIONS</b> .....	<b>4</b>
2.1. Precautions .....	4
2.2. Security .....	5
2.3. Warning plate symbols .....	6
2.4. Electrical risk .....	7
2.5. Risk of power cut .....	7
<b>3. PRODUCT DESCRIPTION</b> .....	<b>8</b>
3.1. Statys XS Feature .....	8
3.2. Packaging .....	9
<b>4. PRODUCT INTRODUCTION</b> .....	<b>10</b>
4.1. Front Panel .....	10
4.2. LCD .....	11
4.3. Rear Panel .....	12
4.4. Interfaces .....	13
<b>5. INSTALLATION</b> .....	<b>14</b>
5.1. Choose an installation location .....	14
5.2. Installation Procedure: .....	14
5.3. Electrical power installation .....	14
<b>6. OPERATING</b> .....	<b>16</b>
6.1. Boot up .....	16
6.2. Switch input source .....	16
6.3. Measurements .....	16
6.4. Configuration .....	17
<b>7. DRY CONTACTS AVAILABLE FOR CONFIGURATION</b> .....	<b>17</b>
<b>9. SYSTEM SPECIFICATIONS</b> .....	<b>18</b>
<b>10. TROUBLESHOOTING</b> .....	<b>19</b>

# 1. WARRANTY CERTIFICATE

The warranty terms are stipulated in the offer, by default the following clauses apply.

The SOCOMEC warranty is strictly limited to the product(s) and does not extend to equipment which may be integrated with this(these) product(s), nor the performance of this equipment.

The manufacturer guarantees its material to be free from manufacturing faults and defects in design, material or workmanship, subject to the limits set forth below.

The manufacturer reserves the right to modify the delivery with a view to fulfilling these guarantees or to replace defective parts. The manufacturer's warranty does not apply in the following cases:

fault or defect in the design of parts added or supplied by the customer;

fault due to unforeseen circumstances or force majeure;

replacement or repair resulting from the normal wear of the modules or machinery;

damage caused by negligence, lack of proper maintenance or misuse of the products;

repair, modification, adjustment or replacement of parts performed by unqualified third parties or personnel without the express agreement of SOCOMEC.

The warranty period is twelve months commencing from the date of delivery of the product.

The repair, replacement or modification of the parts during the warranty period does not extend the warranty period.

In order to establish a valid warranty claim, the purchaser must notify the manufacturer in writing immediately after the discovery of any defects which are attributed to the material and provide any and all supporting evidence of the defects at the latest within eight days before the date of expiry of the warranty.

Defective parts which have been returned and replaced free of charge shall become the property of SOCOMEC.

The warranty is void if the purchaser has undertaken modifications or repairs on the devices on his or her own initiative and without the express consent of the manufacturer.

The manufacturer's responsibility is strictly limited to the obligations defined in this warranty (repair and replacement) excluding any other right to claim compensation or indemnity.

Any import tax, duty, fee or charge of any nature whatsoever imposed by European regulations or those of an importing country or of a transit country shall be paid by the purchaser.

**CORPORATE HQ CONTACT: SOCOMEC SAS, 1-4 RUE DE WESTHOUSE, 67235 BENFELD, France.**

## 2. SAFETY INSTRUCTIONS

### 2.1. Precautions

This document provides essential instructions regarding safety, handling and connections for STATYS XS. Carefully read this manual before operating STATYS. Reference security information is in English language. Keep this manual in a safe place for future reference.



**The manufacturer will not be held liable for failure to follow the instructions in this manual or available at [www.socomec.com](http://www.socomec.com).**

#### **CAUTION**

For optimal use, it is recommended to maintain the ambient temperature and humidity at the values specified by the manufacturer.

Do not expose STATYS to rain or any other type of liquid. Do not introduce foreign bodies into the unit.

#### **WARNING**

SOCOMECE maintains integral and exclusive ownership of its intellectual and industrial property rights regarding this document. Use of this document is limited to personal use by the recipient for the application specified by SOCOMECE. Any reproduction, modification or distribution of this document, whether in whole or in part, by any means whatsoever, is expressly prohibited without the prior written permission of SOCOMECE.

This document is not a specification. SOCOMECE reserves the right to modify the content of this document without notice.

Every component of this product is checked for high specification standards, this unit must be exclusively installed, commissioned and repaired by specialist technical personnel authorised by SOCOMECE.

The product which you have chosen taking into consideration its conditions of use, capacities and performance limits, is designed for commercial and industrial use only.

For use with so-called “critical applications”, the product may be required to comply with legal and regulatory obligations as well as specific local standards, and be adapted based on the recommendations of SOCOMECE. In all cases where the equipment is to be used for critical applications, you are advised to contact SOCOMECE in advance to confirm that the products are capable of meeting the required levels of safety, performance and reliability.

The term “critical applications” notably includes life support systems, medical applications, commercial transport, nuclear installations or any other system or application where the failure of the product is likely to cause substantial damage to persons or property.

#### **All rights reserved**

SOCOMECE disclaims any liability for damage to property or persons caused by errors that may have occurred in this document.

## 2.2. Security

Do not install the product at the following locations without a qualified technician:

- Medical equipment directly related to human life preservation;
- Equipment on elevators or rapid transit systems related to personal safety;
- Critical computing hardware for public systems;
- Other equipment similar to the ones mentioned above.

Please discuss with your distributor before installing the product at the locations mentioned above. Special considerations and designs are required for the operation, setup, management, and maintenance of critical equipment and emergency backup power generators related to personal safety and public facilities.

Do not place vases or other water containers on top of the main unit. Water spilled into the machine may damage internal components and pose a shock hazard.

Using this product in locations with sparks, smoke, or natural gas may result in arcing, personal injury, and fire hazards.

The operating environment and storage method affects the product lifespan and malfunctions. Thus, please keep the product away from the following operating environments:

- Locations specified in the operating manual as high temperature, low temperature, and high humidity (temperatures outside -5 to 40° and relative humidity outside 5% to 90%);
- Locations with sparks;
- Locations with dust, corrosive material, salt content, or flammable gas;
- Outdoors.

Immediately stop using this product in the event of abnormal sounds or odors.

Contact your distributor for maintenance.

Improper grounding results in electrical leakage. Please make sure your AC input power is properly grounded.

Please confirm the input voltage does not exceed the rated capacity of the Statys XS.

Do not disassemble this product without a technician from the original manufacturer or authorized distributor. Doing so voids your warranty and is also a shock hazard.

## 2.3. Warning plate symbols

We remind you of the need to observe the safety recommendations and warnings shown on the labels located inside and outside of the unit.



**Danger ! High voltage (black/yellow)**



**Ground terminal**



**Read the user manual before performing any operation**

## 2.4. Electrical risk



### **Risk of electric shock! Danger of property damage!**

- Only qualified and authorized personnel are allowed to intervene on the product.
- Failure to follow the product instructions and this safety information may occur in personal injury, electric shock, burns or property damage.
- Before proceeding to the assembly(editing), maintains, cleaning, dismantling, in the connection or in the modifications, the product and the installation must be switched off otherwise you risk to be electrocuted. In addition, damage can occur in the installation and the product can be destroyed.
- The instructions are valid in conjunction with the specific instructions of the product.
- The products are designed exclusively for the application prescribed in the instructions. Only accessories authorized or prescribed by SOCOMEC may be used in combination with the devices.
- For any questions regarding the disposal of the product, contact SOCOMEC
- SOCOMEC disclaims any liability for damage caused to property or persons caused by errors that may have occurred in this document.

### **WARNING**

All operations and maintenance must be performed by authorised personnel who have undertaken suitable training. Scrupulously follow the operating or maintenance instructions described in this manual.

Take maximum precautions and determine which parts are live:

- by following the load diagrams,
- by checking the presence of power with a voltmeter, for example.

In normal operating conditions, there is no danger for personnel handling this equipment.

## 2.5. Risk of power cut

### **WARNING**

Scrupulously follow the operating instructions described in this manual to prevent inadvertent power cuts which may pose a safety hazard to the user.



### **DANGER**

**Taking into account the presence of high leakage currents, it is essential to connect the ground cable before connecting the upstream and load sources.**

**Hazardous voltage may be present within STATYS after it is switched off.**

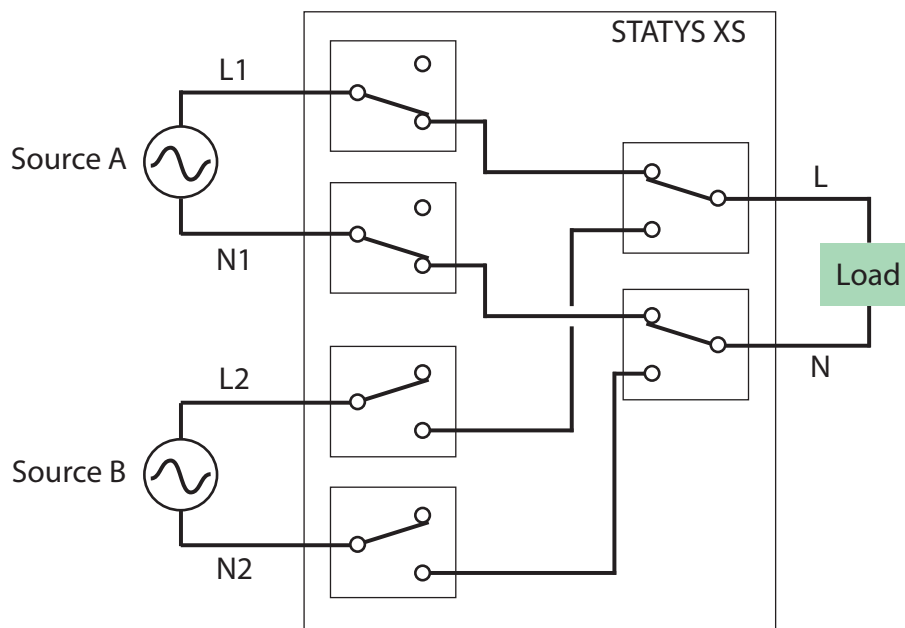
**In fact, the power supply voltage remains present at the input of each static contactor**

# 3. PRODUCT DESCRIPTION

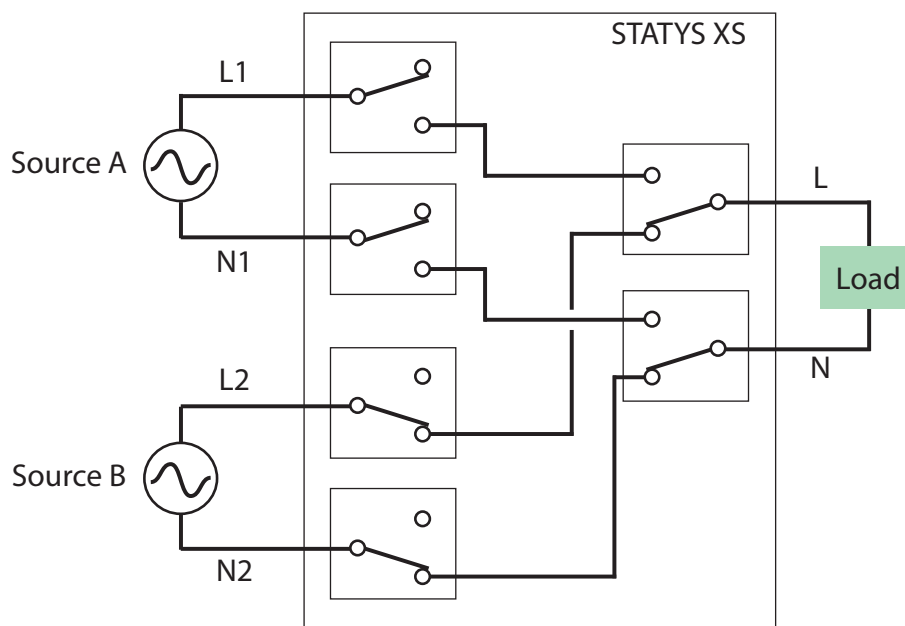
## 3.1. Statys XS Feature

The Statys XS (Automatic Transfer System) features two independent power supply circuits supplying power to the load (as shown in Figure 1 below). In the event of a power failure in the main circuit, the Statys XS automatically switches to the other circuit to supply power to the load. The Statys XS automatically switches back to the main circuit after power is restored. In addition, the Statys XS also provides user configurable power states (voltage or frequency) for the Statys XS switching condition.

### Load on Source A



### Load on Source B



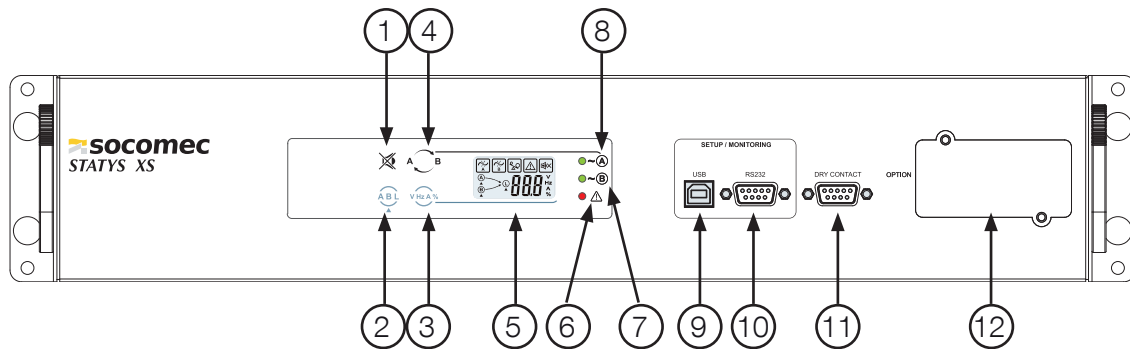


## 3.2. Packaging

- Remove the PE foam.
- Inspect accessories:
  - RS-232 cable x1 pcs
  - USB cable x1 pcs
  - Quick Start guide
  - Handle and screws x1 set
  - Backplate and screws x1 set
  - IEC C19 - C20 cables x2 (XS 16A only)
  - Protective cover and screws x1 set (XS 32A only)

# 4. PRODUCT INTRODUCTION

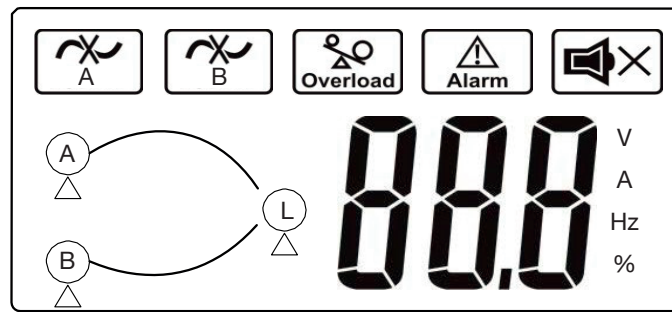
## 4.1. Front Panel



No.	Item	Description/function
①	Mute button	Turns the sound of the alarm off when present
②	Source selection button	Select source to view info: Input A, Input B, or Load
③	Info selection button	Select source info to view: voltage, frequency, current*, load capacity*
④	Input selection button	Switch input source: Input A <-> Input B
⑤	LCD	System status display
⑥	Error indicator	Lit: System malfunction or abnormal Dim: System normal
⑦	Input indicator B	Lit: Normal input voltage and frequency Dim: Abnormal input voltage and frequency Flashing: Indicates higher priority
⑧	Input indicator A	Lit: Normal input voltage and frequency Dim: Abnormal input voltage and frequency Flashing: Indicates higher priority
⑨	USB port	Connection for software setup or monitoring software
⑩	RS-232 port	Connection for software setup or monitoring software
⑪	Dry contact port	Dry Contact
⑫	External communication slot	For external communication cards, e.g. RS- 485, SNMP

\*only on the Output

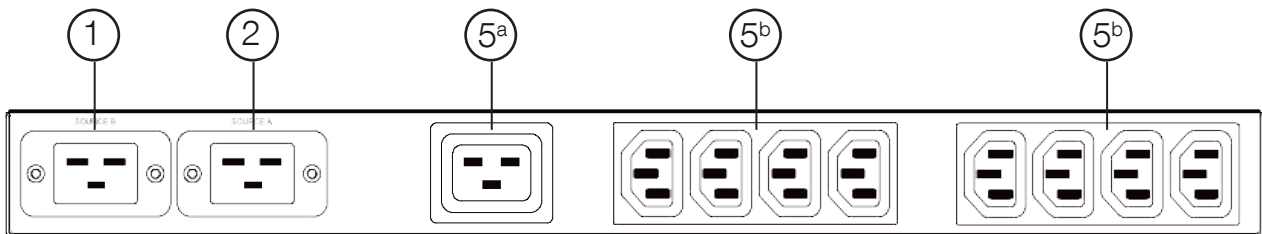
## 4.2. LCD



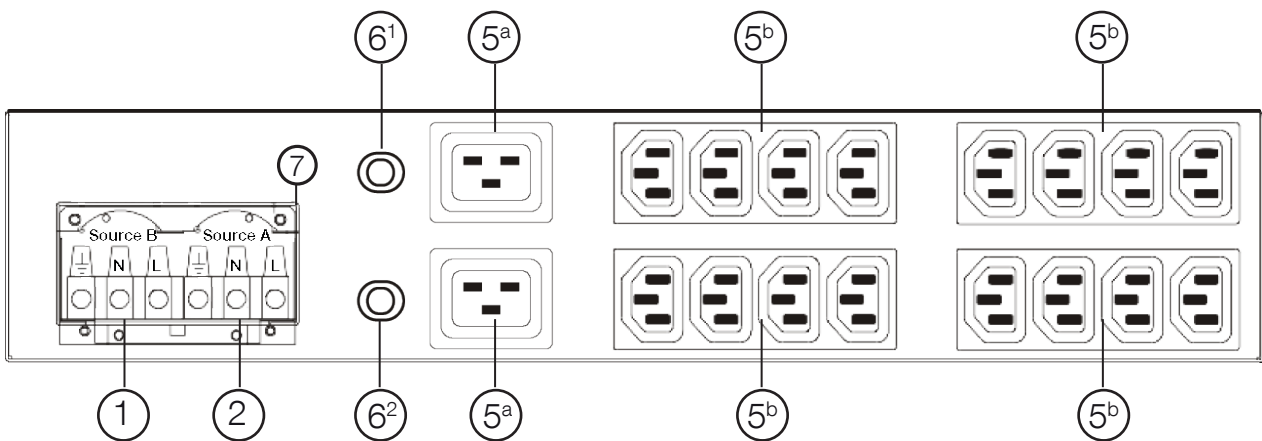
Symbol	Description/function
	Input A error or power failure
	Input B error or power failure
	Overload
	System malfunction or abnormal
	Alarm on
	Alarm off
	Digital display showing input/output power connected to load
	Statys XS numeric display

## 4.3. Rear Panel

### STATYS XS 16A



### STATYS XS 32A

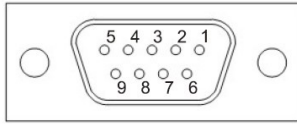


- ① Power input (B)
- ② Power input (A)
- ⑤ Output socket    a = max. 16A    b = max.10A
- ⑥ Output breaker
- ⑦ Mandatory protective cover provided (XS 32A).

## 4.4. Interfaces

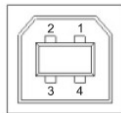
- The Statys XS provides three standard communication ports: RS-232, USB, and 5 dry contacts.

### RS-232



Pin	Definition	Type	Signal
1	N/A	N/A	N/A
2	TX	Output	TX
3	RX	Input	RX
4	N/A	N/A	N/A
5	GND	Power source	N/A
6	+12V	Power source	N/A
7	N/A	N/A	N/A
8	N/A	N/A	N/A
9	N/A	N/A	N/A

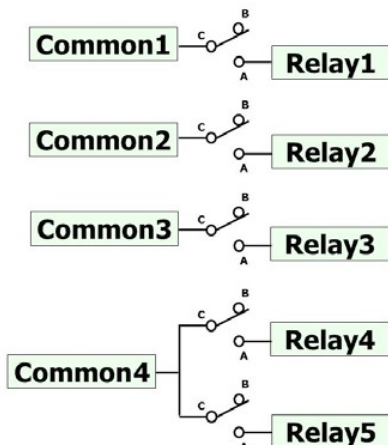
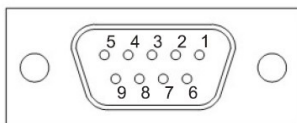
### USB



Pin	Signal
1	VBUS
2	D-
3	D+
4	GND

### DRY CONTACT

The Statys XS provides five user configurable dry contacts for customized features. The capacity of each contact is 24Vdc / 1A, additional information is provided in § 7.



Pin	Definition	Signal
1	Common 3	N/A
2	Relay 3	Source A abnormal
3	Relay 4	Source B abnormal
4	Common 4	N/A
5	Relay 5	General alarm
6	Common 1	N/A
7	Relay 1	Pre-alarm active
8	Common 2	N/A
9	Relay 2	Over temperature

- The Statys XS provides one external communication slot (optional) for the user: SNMP or RS-485 (see § 4.3.1)

## 5. INSTALLATION

### 5.1. Choose an installation location

An appropriate installation location will optimize system performance, reduce the chances of malfunctions, and prolong product lifespan. Please follow the guidelines below for an appropriate location:

- Avoid excessive high temperature or high humidity;
- Keep away from dust, volatile gases, excessive salt content, or corrosive gases;
- Do not use outdoors.

To avoid over temperature because of heat accumulation, please ensure the product is installed in a ventilated area.

### 5.2. Installation Procedure:

1. Open package and note the packaging layers. Keep the box and packaging material in case further transportation is required.
2. Check for damage to the Statys XS from shipping and handling. Please contact your local distributor if the product is damaged.
3. Check the input power cable/socket and output socket of the delivered Statys XS model with your order.
4. Affix the backplate (Figure 1) onto the Statys XS (Figure 2). Affix the Statys XS onto the frame of the chassis (Figure 3).
5. Insert the load plugs into the Statys XS sockets labelled "OUTPUT" and spreading them as evenly as possible.
6. Check that the total load does not exceed Statys XS specifications (e.g. voltage, current).
7. Supply power to the Statys XS. The Statys XS automatically boots up after 1 second and supplies the capacity power to the connected load.

### 5.3. Electrical power installation

#### External upstream protection :

The circuit breaker ratings bellow are recommended values. These protective devices still need to be selected and configured taking into account the installation and the diameter of cable used.

#### Circuit breaker rating A:

- 16A STATYS XS : 16A circuit breaker ; tripping curve D
- 32A STATYS XS : 32A circuit breaker ; tripping curve D



Figure 1

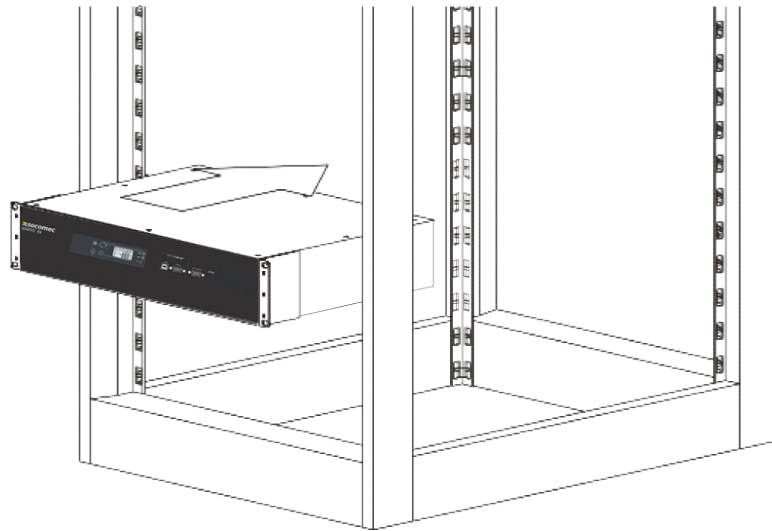


Figure 2

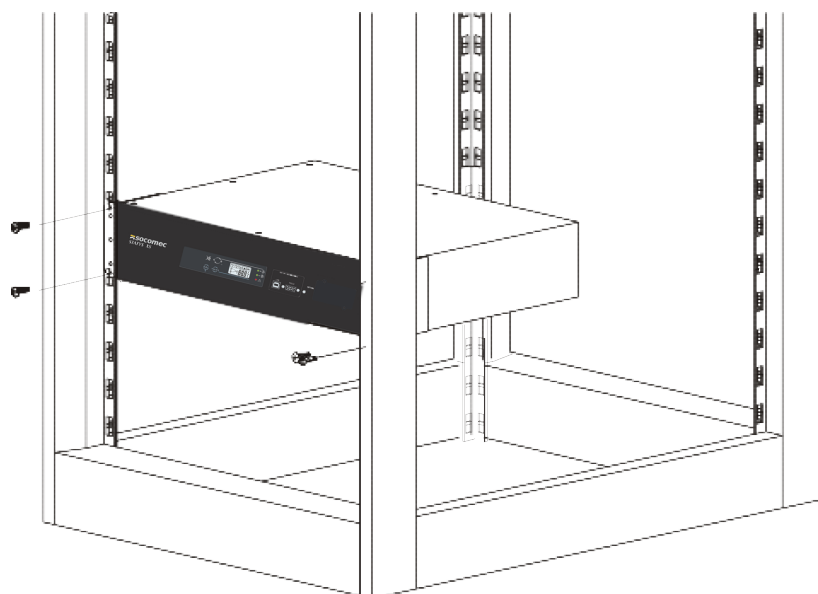


Figure 3

# 6. OPERATING

## 6.1. Boot up

Once input power connected, Statys XS automatically boots up. The LCD display during boot is as shown in Figure 5 and all LEDs ( ~(A), ~(B), ⚠ ) are lit. LCD display is as shown in Figure 6 after boot up, LEDs for Power A ( ~(A) ) and/or Power B ( ~(B) ) is/are lit according present source(s), ⚠ is lit if source(s) missing.

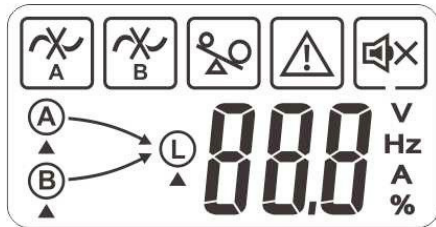


Figure 5

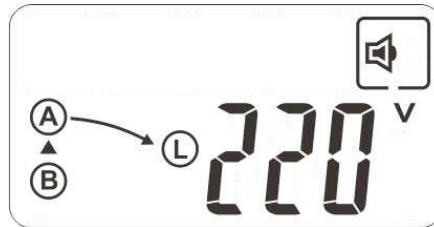


Figure 6

Sources A and B are present, load is supplied by source A, alarm is set on ON, source A voltage is 220V

## 6.2. Switch input source

This products supports manual switching between power supplies as instructed below:

Push and hold the **A ↔ B** button for 3 seconds until you hear two short beeps, If the second source is present, YES is displayed.

Then the system needs to reconfirm the power transfer (LCD display as shown in Figure 7), so push and hold the **A ↔ B** button for 3 seconds to confirm.

The system will switch to the other input (LCD display as shown in Figure 8) if the power supply is normal, otherwise the transfer is not made and a warning is shown (LCD display as shown in Figure 9).

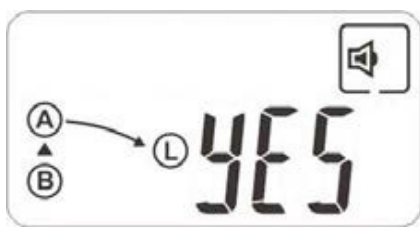


Figure 7

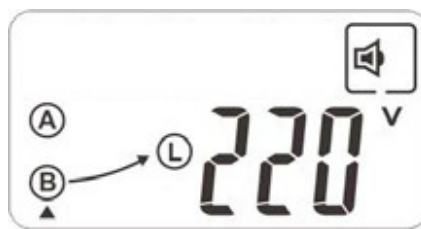


Figure 8

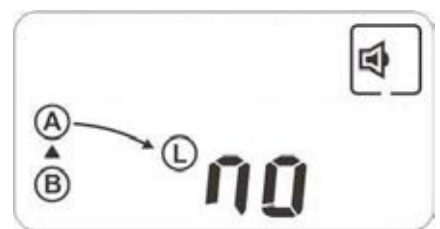


Figure 9

## 6.3. Measurements

Measurements (voltage, frequency, current and load rate) of each Input or Output can be read with the **V Hz A %** button.

Push the **ABL** button to change the Input or Output, the pictogram ▲ indicate the Input or the Output concerned,

A = source A, B = source B and L = output (Load)



## 6.4. Configuration

Statys XS can be customised via USB or serial link using a dedicated software named XS Config.  
Please refer to the download section of [www.socomec.com](http://www.socomec.com).

## 7. DRY CONTACTS AVAILABLE FOR CONFIGURATION

	<b>Event</b>	<b>Code</b>
1	Source A voltage abnormal	Er03
2	Source B voltage abnormal	Er04
3	Source A frequency abnormal	Er05
4	Source B frequency abnormal	Er06
5	Output Over Load	Er16
6	Unit fault (Source A circuit power defected)	Er22
7	Unit fault (Source B circuit power defected)	Er23
8	Cabinet temperature abnormal	Er24
9	Unit fault (Sensor circuit defect)	Er25
10	Unit fault (EEPROM data abnormal)	Er26
11	LCD panel connection abnormal	Er28
12	Overload time out	Er30
13	Transferring fail by sync setting condition	Er31
14	Pre-alarm active	Er32
15	Communication connection abnormal	Er33
16	General alarm	

## 9. SYSTEM SPECIFICATIONS

Model		STAYS XS 16A	STAYS XS 32A
<b>Input</b>			
Input voltage	200/208/220/230/240V 230V factory setting +/-10% (configurable +/-5% to +/-20%)		
Input voltage range	180Vac - 264Vac		
Input frequency	50 / 60Hz +/-10% (configurable +/-5% to +/-20%)		
<b>Output</b>			
Output voltage	Equal to Input		
Rated Output current	16A	32A	
	Can be configured to lower current for alarm management		
Protection	Electronic circuit and upstream protections		
Transfer time(ms)	ITIC curve compliant		
Admitted overload	125% / 1 minutes, 150% / 30 seconds		
<b>Connection</b>			
Input	IEC C20 x 2	50A terminal 1 x 6P 10mm <sup>2</sup>	
output	1 x IEC C19 (max. 16A) 8 x IEC C13 (max. 10A)	2 x IEC C19 (max. 16A) 16 x IEC C13 (max. 10A)	
Communication	5 Dry contacts		
Communication (option card)	SNMP o r RS-485		
Port for system access	RS 232 / USB		
Display	LCD+LED		
<b>Physical</b>			
Dimension W x D x H (mm)	440 x 285 x 44	440 x 360 x 88	
Net Weight (kgs)	4	6	
<b>Environment</b>			
Working temperature	-5 to 40°C @ 5 to 90% RH (non-condensing)		
Standards compliance	Safety	EN 60950-1	
	EMC	EN 62310-2	

## 10. TROUBLESHOOTING

If your Statys XS is not working normally, use the following status and troubleshooting table to make the appropriate adjustments. Please contact your distributor as soon as possible if the issue cannot be resolved.

Issue	Possible reason	Solution
Statys XS is OFF	Not connected to the electrical grid	
	Abnormal electrical grid	Request service by professional electrician
	Input breaker has been tripped	Reset breaker
	Internal components have been damaged	Please contact the distributor
Power is supplied to the load but panel remains off	Internal components have been damaged	Please contact the distributor
Error code Er03 to Er06	Not connected to the electrical grid	Check the connection from the electrical grid to the Statys XS input
	Abnormal electrical grid	Request service by professional electrician
Error code Er16	Overload	Check the load capacity
Error code Er22 to Er33	Abnormal internal components	Please contact us

# Socomec: our innovations supporting your energy performance

**1** independent manufacturer

**3,200** employees  
worldwide

**10** % of sales revenue  
dedicated to R&D

**400** experts  
dedicated to service provision

## Your power management expert



POWER  
SWITCHING



POWER  
MONITORING



POWER  
CONVERSION



EXPERT  
SERVICES

## The specialist for critical applications

- Control, command of LV facilities
- Safety of persons and assets
- Measurement of electrical parameters
- Energy management
- Energy quality
- Energy availability
- Energy storage
- Prevention and repairs
- Measurement and analysis
- Optimisation
- Consultancy, commissioning and training

## A worldwide presence

**8** production sites

- France (x3)
- Italy
- Tunisia
- India
- China (x2)

**27** subsidiaries

- Australia • Belgium • China • France
- Germany • India • Italy • Netherlands
- Poland • Romania • Singapore
- Slovenia • Spain • Switzerland • Thailand
- Tunisia • Turkey • UK • USA

**80** countries

where our brand is distributed

### HEAD OFFICE

#### SOCOME C GROUP

SAS SOCOME C capital 10633100 €  
R.C.S. Strasbourg B 548 500 149  
B.P. 60010 - 1, rue de Westhouse  
F-67235 Benfeld Cedex  
Tel. +33 3 88 57 41 41 - Fax -33 3 88 57 78 78  
info.scp.isd@socomec.com

### YOUR DISTRIBUTOR / PARTNER

[www.socomec.com](http://www.socomec.com)

